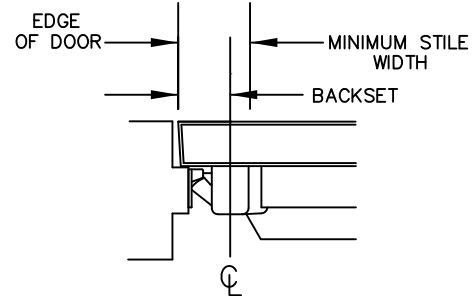
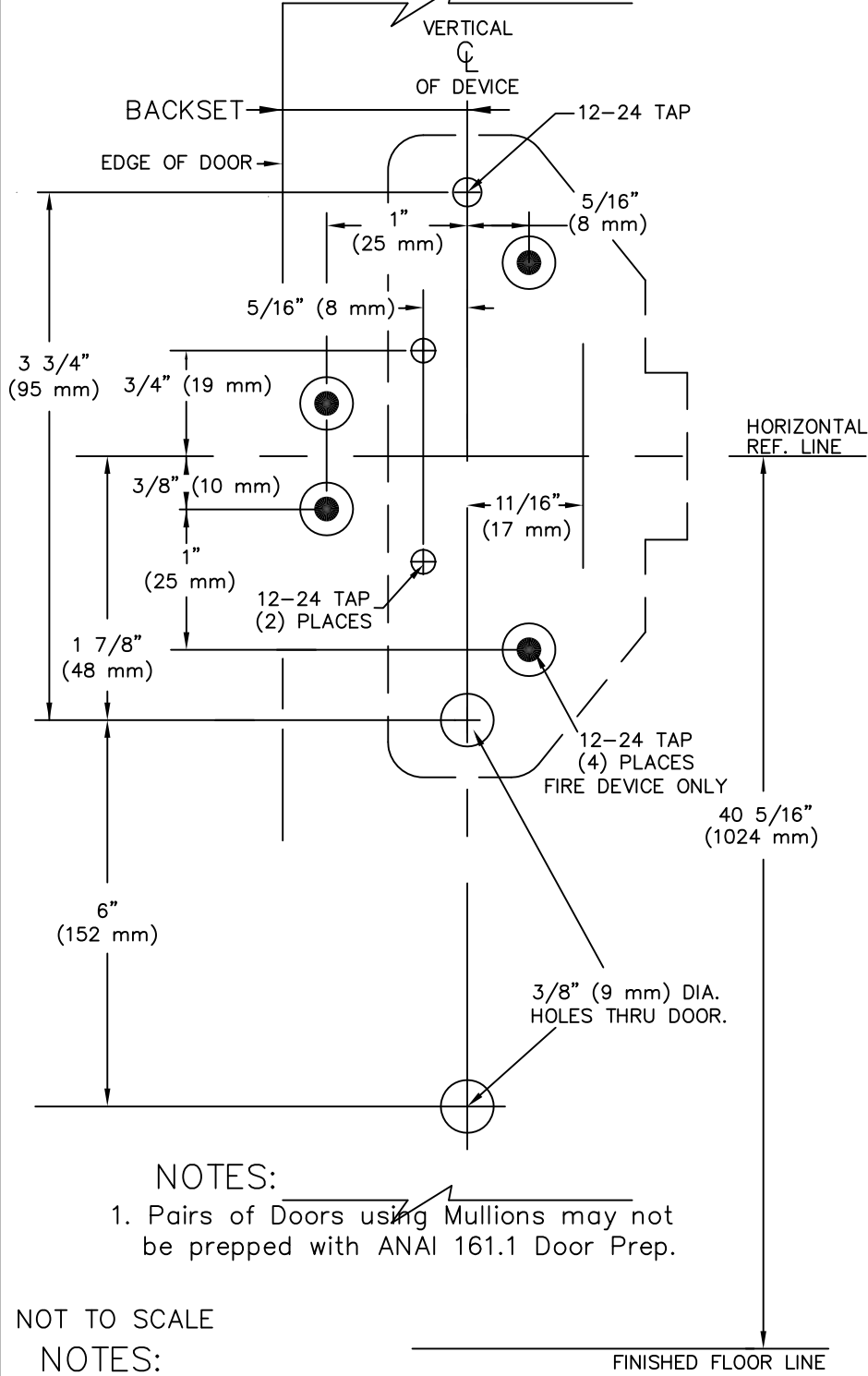
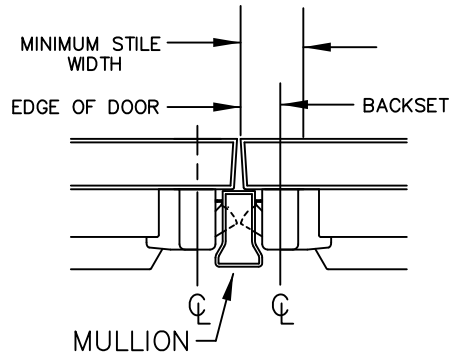


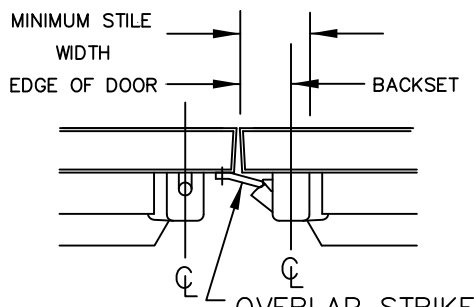
LHR SHOWN
RHR OPPOSITE



STOP	STRIKE	BACKSET	MIN. STILE
5/8" (16 mm) STOP	443	1 1/2" (38 mm)	2 3/4" (70 mm)
	430	2" (51 mm)	3 3/16" (81 mm)
	486, 463	2 1/8" (54 mm)	3 5/16" (84 mm)



MULLION	STRIKE	BACKSET	MIN. STILE
1310	443	1 1/2" (38 mm)	2 3/4" (70 mm)
	430	N/A	N/A
	486, 463	2 1/8" (54 mm)	3 5/16" (84 mm)
1330	430	2 1/4" (56 mm)	3 3/8" (86 mm)
	486, 463	2 7/16" (62 mm)	3 1/2" (89 mm)
F1300	430	2 1/2" (63 mm)	3 5/8" (92 mm)
1340KR F1340KR	486, 463	2 11/16" (68 mm)	3 3/4" (95 mm)



STRIKE	BACKSET	MIN. STILE
319/320	1 5/8" (41 mm)	2 3/16" (56 mm)

NOTES:

1. Pairs of Doors using Mullions may not be prepped with ANAI 161.1 Door Prep.

NOT TO SCALE

NOTES:

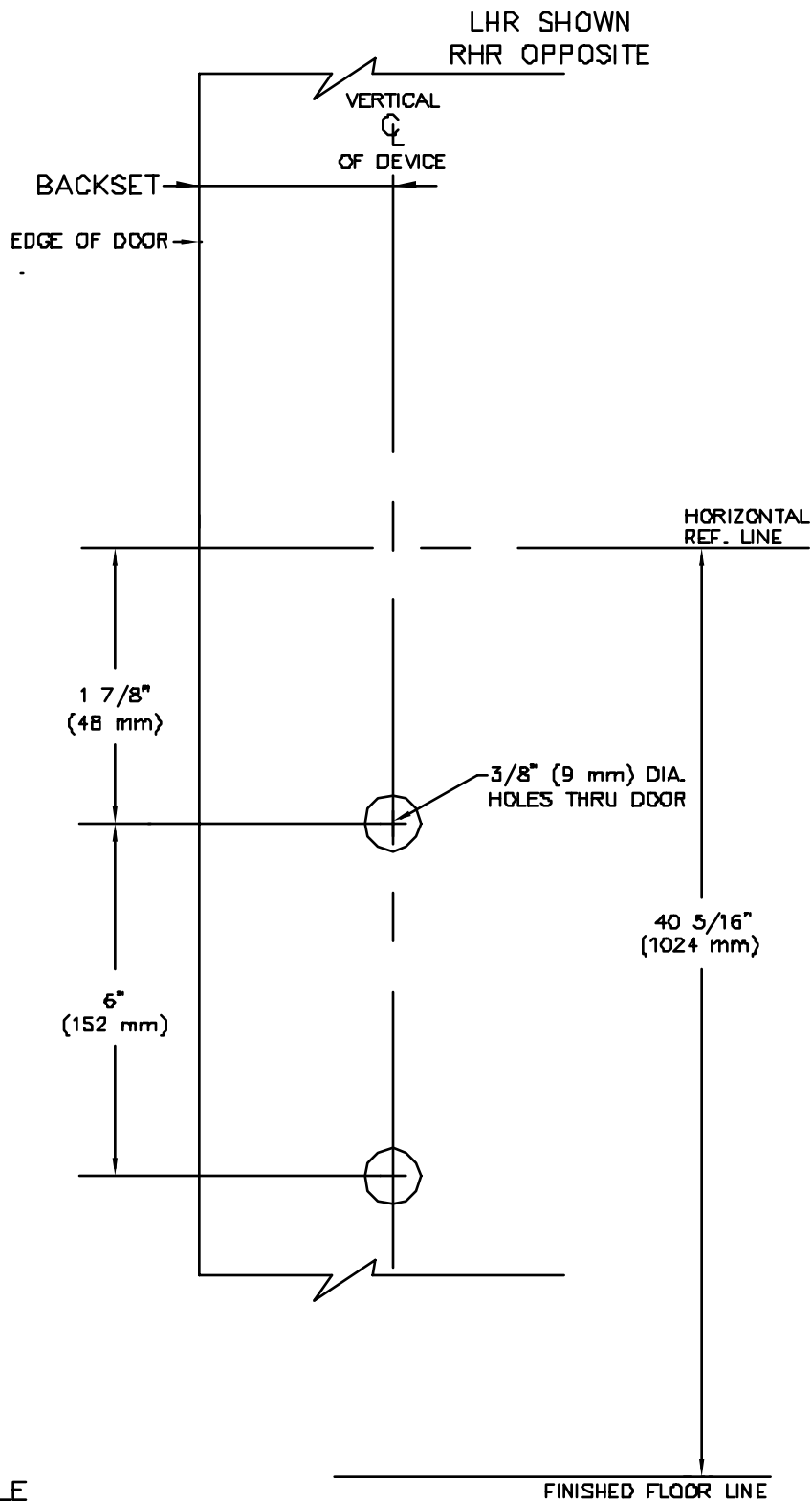
1. SEE MASTER SHEET #T-0001 FOR SUGGESTED DOOR REINFORCEMENT.
2. SEE ADDITIONAL TRIM TEMPLATE WHEN REQUIRED.

REV. No. 5 REVISION: ANSI 161.1 DOOR PREP NOTE DATE: 1-29-2014



8300 & F8300 x 8P02
RIM TYPE EXIT DEVICE

TEMPLATE NUMBER
T-1023 ⑤



NOT TO SCALE
NOTES:

1. SEE MASTER SHEET #T-0001 FOR SUGGESTED DOOR REINFORCEMENT.

REV. No. 1

REVISION: ADD NEW BORDER

DATE: 4-25-00



BPO2 TRIM

TEMPLATE NUMBER
T-2063①